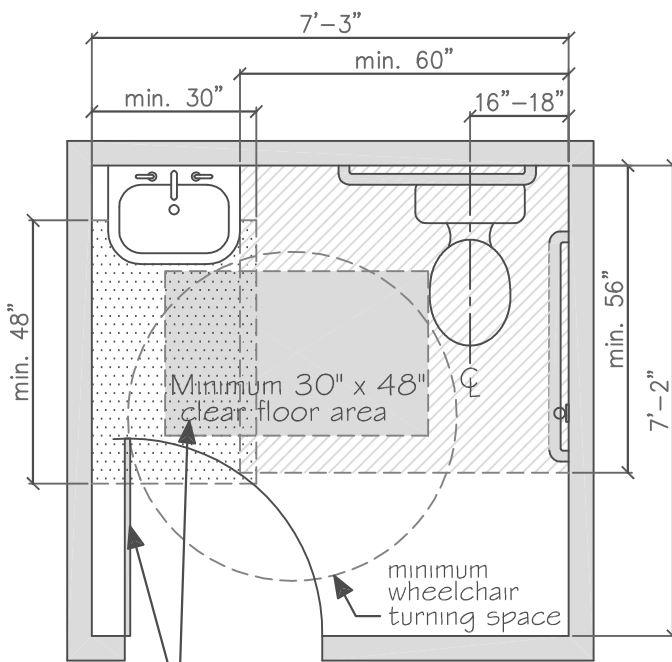
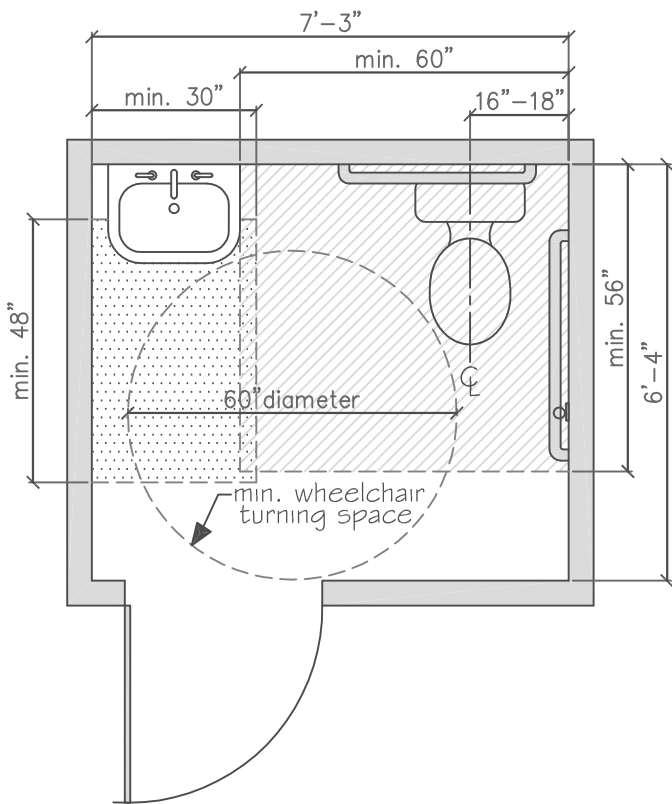


# A VISUAL GUIDE TO ACCESSIBILITY REQUIREMENTS

## SINGLE STALL RESTROOMS\*

ICC/ANSI A117.1, 2009 EDITION:



Door cannot swing into wheelchair turning space except where the room is for individual use and a clear floor area of 30" x 48" is provided within the room, beyond the arc of the door swing.

### 304.3.1 Circular Space.

The turning space shall be a circular space with a 60" minimum diameter. The turning space shall be permitted to include knee and toe clearances.

### 603.2.2 Overlap.

Clear floor spaces, clearances at fixtures, and turning spaces shall be permitted to overlap.

### 603.2.2 Door Swing.

Doors shall not swing into the clear floor space or clearance for any fixture.

Exception: Where the room is for individual use and a clear floor space complying with section 305.3 is provided within the room beyond the arc of the door swing.

### 305.3 Size.

The clear floor space shall be 48" minimum in length by 30" minimum in width.

### 604.2 Location.

The water closet shall be located with a wall partition to the rear and to one side.

The centerline of the water closet shall be 16" minimum to 18" maximum from the side wall or partition for single use restrooms.

### 604.3.1 Size.

A clearance around a water closet 60 inches minimum, measured perpendicular from the sidewall, and 56 inches minimum, measured perpendicular from the rear wall, shall be provided.

See hatched area.

### 604.3.2. Overlap.

The required clearance around the water closet shall be permitted to overlap the water closet, associated grab bars, paper dispensers, sanitary napkin receptacles, coat hooks, shelves, accessible routes, clear floor space at other fixtures and the turning space. No other fixtures or obstructions shall be within the required water closet clearance.

\* While considerable effort has been made to ensure the accuracy of the graphic information presented, the City of Norman assumes no responsibility for errors or omissions in the information presented for use within this municipality.

ICC/ANSI A117.1, 2009 EDITION:

604.5.1 Fixed Side Wall Grab Bars.

Fixed side wall grab bars shall be 42 inches minimum in length, located 12 inches max. from the rear wall and extending 54 inches minimum from the rear wall. In addition, a vertical grab bar 18 inches min. in length shall be mounted with the bottom of the bar located between 39 and 41 inches above the floor, and with the center line of the bar located between 39 and 41 inches from the rear wall.

604.5.2 Rear Wall Grab Bars.

The rear wall grab bar shall be 36 inches minimum in length, and extend from the centerline of the water closet 12 inches min. on the side closest to the wall, and 24 inches minimum on the transfer side.

(See ANSI, Sec. 604.5.2. for grab bar length exceptions)

604.7 Dispensers.

Toilet paper dispensers shall be 24 inches to 36 inches from the rear wall behind the water closet. The outlet of the dispenser shall be 18" min. and 48" max. above the floor or ground, and shall not be located behind the grab bars. Dispensers shall not be of a type that control delivery, or do not allow continuous paper flow.

604.4 Height.

The height of water closet seats shall be 17 inches min. and 19 inches max. above the floor, measured to the top of the seat. seats shall not be sprung to return to a lifted position.

603.3 Mirrors. Mirrors mounted above lavatories shall be mounted with the bottom edge of the reflecting surface 40 inches max. above the floor.

306.2 Sink Toe Clearance.

Space beneath the floor and 9 inches above the floor shall be considered toe clearance. Toe clearance shall be permitted to extend 25 inches max. under an element. The min. depth for toe clearance shall extend 17" min. beneath the element. Toe clearance shall be 30" min. width.

306.3.2 Knee Clearance Maximum Depth

Knee clearance shall be permitted to extend 25" maximum under an element at 9" above the floor.

306.3.3 Knee Clearance Minimum Depth

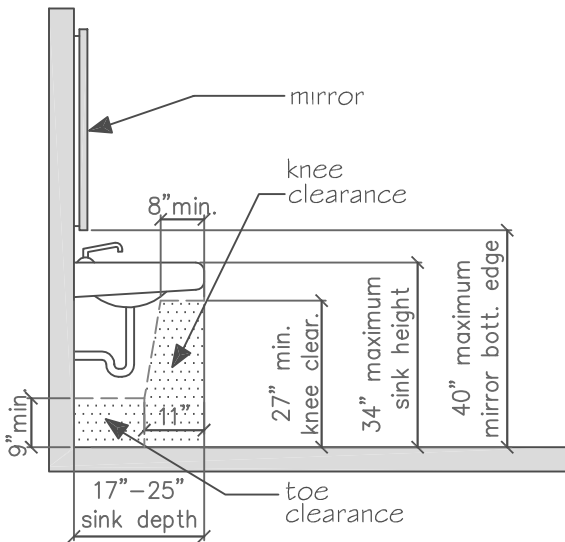
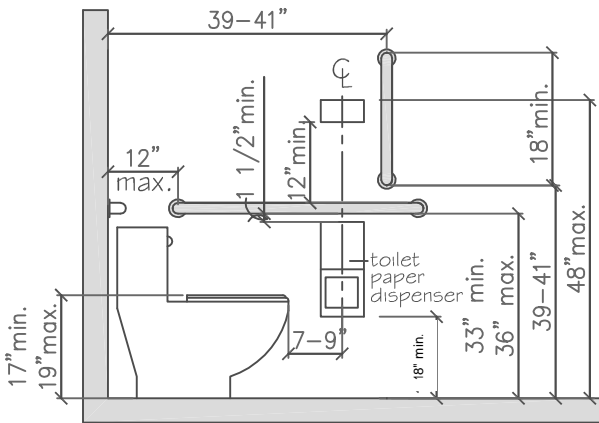
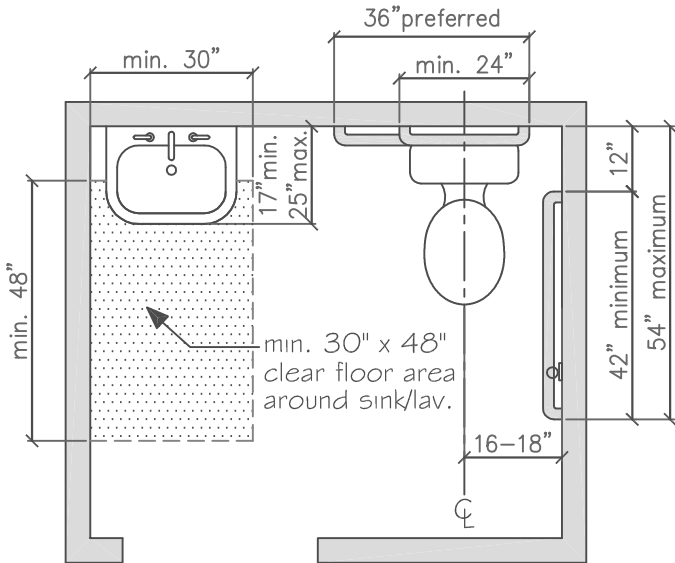
Where knee clearance is required beneath an element as part of a clear floor space, the knee clearance shall be 11 inches min. and 9 inches above the floor, & 8" min. in depth at 27 inches above the floor.

606.3 Sink Bowl Height.

The front of the lavatory and sinks shall be 34" max. above the floor, measured to the higher of the rim or counter surface.

606.6 Exposed Pipes and Surfaces

Water supply and drain pipes under lavatories and sinks shall be insulated or otherwise configured to protect against contact. There will be no sharp or abrasive surfaces under lavatories and sinks.



\* While considerable effort has been made to ensure the accuracy of the graphic information presented, the City of Norman assumes no responsibility for errors or omissions in the information presented for use within this municipality.